

300-118ST – 3NM 180° GREEN DOUBLE LIGHT

The double LED light consists of two (2) individual lights which can be activated separately. One is dedicated as the primary, the other the secondary. The precision machined 6082 aluminium housing with an anodized surface makes the light a rugged and durable housing for the LEDs and electronics contained within.

The interior is completely filled with a special potting resin making it water- and vibration proof.

Produced in our in-house manufacturing facility to meet and exceed exacting standards such as EN14744 and UL1104, under a quality management system continuously surveyed by Lloyds Register Quality Assurance.

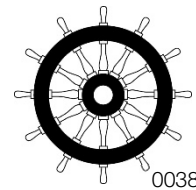
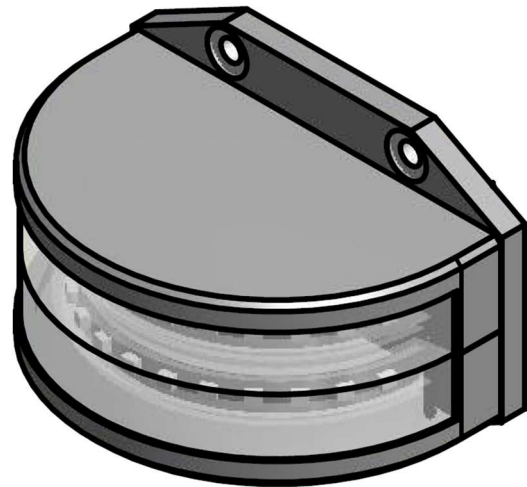
Each light is subjected to final testing for a minimum of 16 hours of continuous operation bringing the total test time beyond 24 hours.

This navigation light is in compliance with the following standards:

- COLREG72
- EN14744
- IEC 60945
- USCG (UL1104)

Together with an appropriate Control & Monitoring System, such as Lopolight's own NLC* this navigation light can form part of an IMO MSC 253(83), LY3 and LY4 compliant system.

*) information found here: www.lopolight.com/NlcPanel



Technical specifications

Vessel size: >50m (>164')

Visibility: >3 nautical miles

Intensity: >15 cd

Power consumption; 3,4 Watt; Current @ 12 VDC: 0,28A - Current @ 24 VDC: 0,14A

Operating voltage: 10 - 32 V DC

Mounting: **Vertical**

Number of LEDs: 13 per light, 26 in total

Light colour: **Green**

Operating temperature: -25°C to +55°C

IP Rating: **IP68**

Connection: 2 cables consisting of 2 x 0,5 mm² leads, a screen and insulation.

- Red lead = Power
- Black lead = GND

Certification: The product is certified by Lloyds (LR) and certificates can be found on www.lopolight.com under certificates.

The product is in compliance with the following standard(s):

COLREG72/ EN14744 / IEC 60945 / USCG/ UL1104

Dimensions: **See drawing**

Weight: 0,52kg

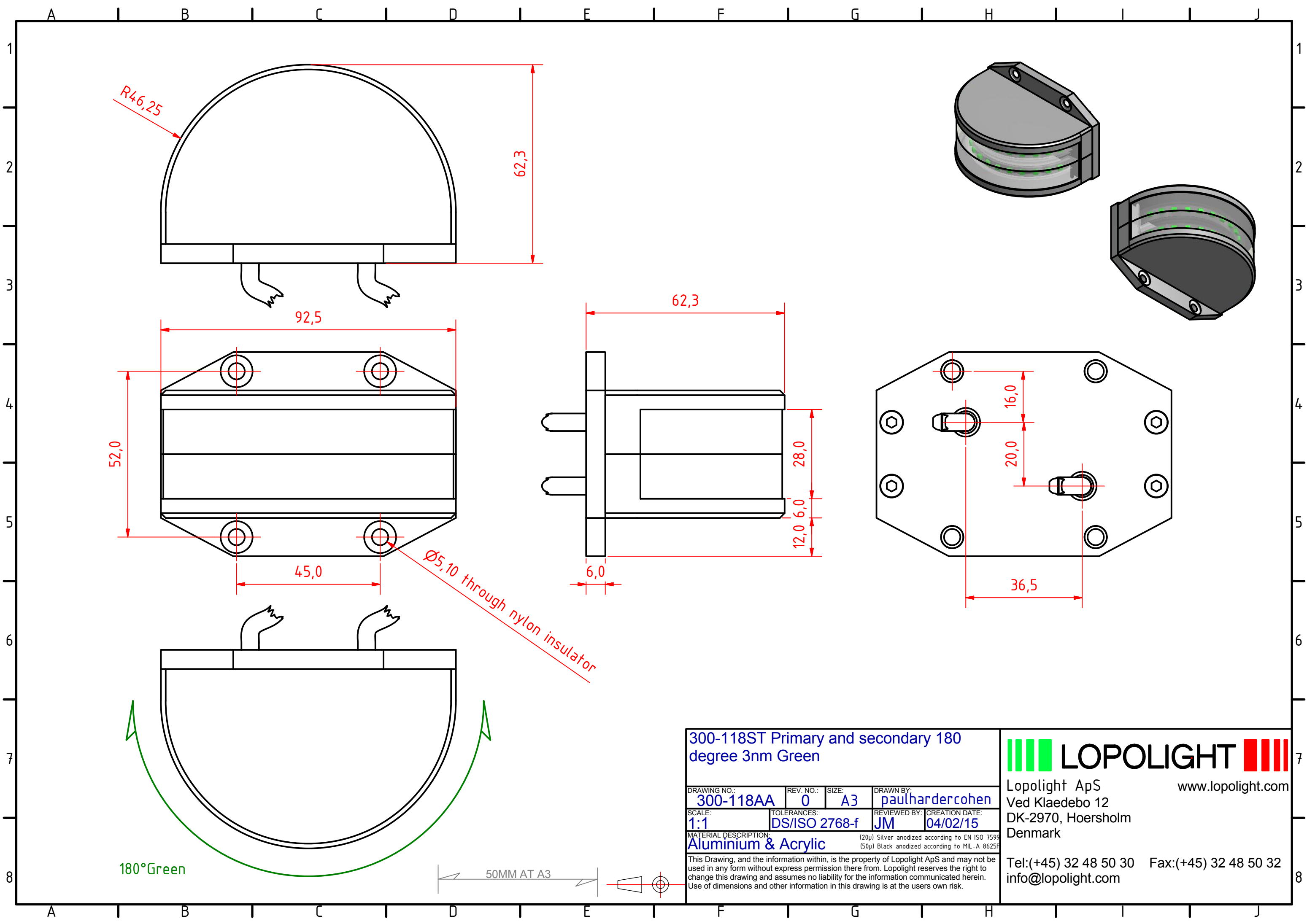
Included in standard package:

- 1 pc. Navigation light, pre-cabled with 0,75m marine grade cable
- 2 pcs. Mounting screws (M6 x 8 mm)
- Installation instructions

Ordering information

CABLE LENGTH	PART NUMBER SILVER FINISH	PART NUMBER BLACK FINISH*
2,5m / 8.2' (standard)	300-118ST	300-118ST-B
6m / 19.7'	300-118ST 6M	300-118ST-B 6M
10m / 32.8'	300-118ST 10M	300-118ST-B 10M
20m / 65,6'	300-118ST 20M	300-118ST-B 20M

*) The black finish option has a tougher hard coat anodizing of 50µ thickness



300-118ST Primary and secondary 180 degree 3nm Green			
DRAWING NO.:	REV. NO.:	SIZE:	DRAWN BY:
300-118AA	0	A3	paulhardercohen
SCALE:	TOLERANCES:	REVIEWED BY:	CREATION DATE:
1:1	DS/ISO 2768-f	JM	04/02/15
MATERIAL DESCRIPTION:			
Aluminium & Acrylic		(20µ) Silver anodized according to EN ISO 7599 (50µ) Black anodized according to MIL-A 8625F	
This Drawing, and the information within, is the property of Lopolight ApS and may not be used in any form without express permission therefrom. Lopolight reserves the right to change this drawing and assumes no liability for the information communicated herein. Use of dimensions and other information in this drawing is at the users own risk.			

LOPOLIGHT

Lopolight ApS
 Ved Klaedebo 12
 DK-2970, Hoersholm
 Denmark

www.lopolight.com

Tel:(+45) 32 48 50 30 Fax:(+45) 32 48 50 32
 info@lopolight.com