

180° RED LIGHT DOUBLE, VERTICALLY MOUNTED

2 nautical miles 200-016ST (<50m / <164')
 3 nautical miles 300-116ST (>50m / >164')

The double LED light consists of two (2) individual lights which can be activated separately. One is dedicated as the primary, the other the secondary.

Each LED light consists of a single array of LEDs that produces light in the specified angle.

The precision machined 6082 aluminium housing with an anodized surface makes the light a rugged and durable housing for the LEDs and electronics contained within.

The interior is completely filled with a special potting resin making it water- and vibration proof.

Produced in our in-house manufacturing facility to meet and exceed exacting standards such as EN14744 and UL1104, under a quality management system continuously surveyed by Lloyds Register Quality Assurance.

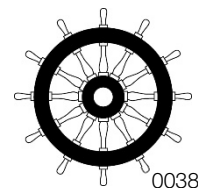
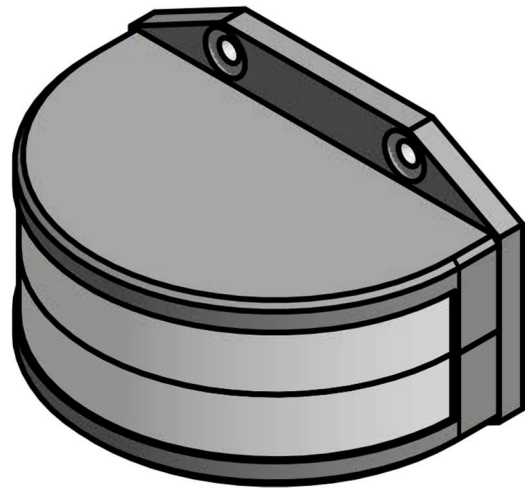
Each light is subjected to final testing for a minimum of 16 hours of continuous operation bringing the total test time beyond 24 hours.

This navigation light is in compliance with the following standards:

- COLREG72
- EN14744
- IEC 60945
- USCG (UL1104)

Together with an appropriate Control & Monitoring System, such as Lopolight's own NLC* this navigation light can form part of an IMO MSC 253(83), LY3 and LY4 compliant system.

*) information found here: www.lopolight.com/NlcPanel



Technical specifications**200-016ST;**

Vessel size: <50m (<164')

Visibility: >2 nautical miles

Intensity: >5,4cd

Power consumption: 1 Watt; Current: 0,08A@ 12 VDC – 0,05 @ 24 VDC

300-116ST;

Vessel size: >50m (>164')

Visibility: >3 nautical miles

Intensity: >15cd

Power consumption: 1,1 Watt; Current: 0,09A @12 VDC - 0,05A @24 VDC

Operating voltage: 10 - 32 V DC

Number of LEDs: 12

Light colour: **Red**

Operating temperature: -25°C to +55°C

IP Rating: **IP68**Mounting: **Vertical**Connection: 2 cables consisting of 2 x 0,5 mm² leads, a screen and insulation.

- Red lead = Power
- Black lead = GND

Certification: The product is certified by Lloyds (LR) and certificates can be found on www.lopolight.com under certificates.The product is in compliance with the following standard(s):
COLREG72/ EN14744 / IEC 60945 / USCG (UL1104)Dimensions: **See drawing**Weight: **0,49kg**Warranty:

Lopolight products are covered by a 5-year limited warranty.

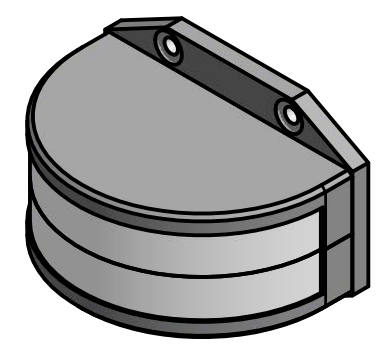
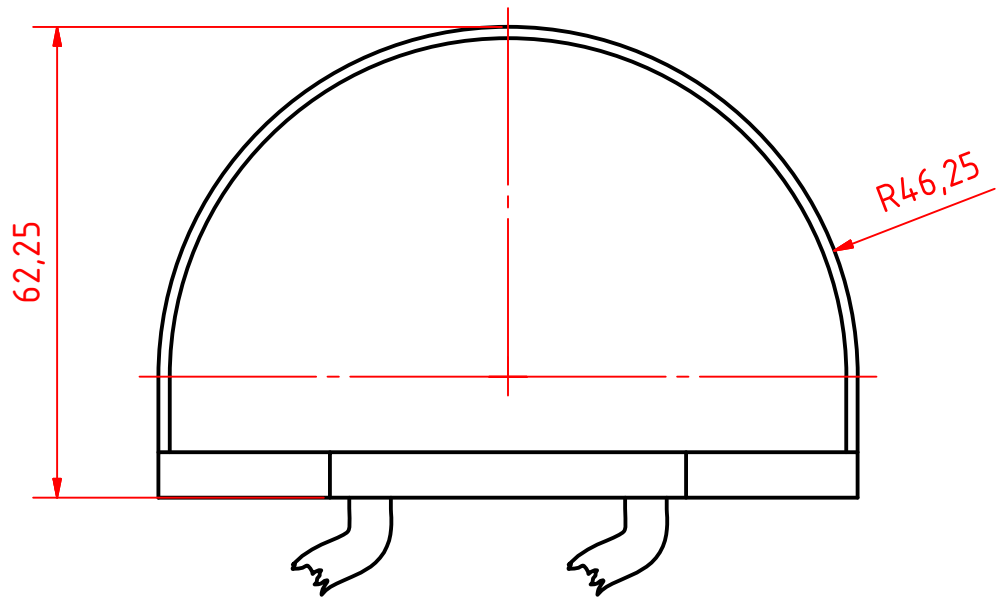
Warranty conditions can be found on www.lopolight.com/Home/ServiceIncluded in package:

- 1 pc. Double navigation light, pre-cabled with 0,75m marine grade cable on a back plate
- Installation instructions

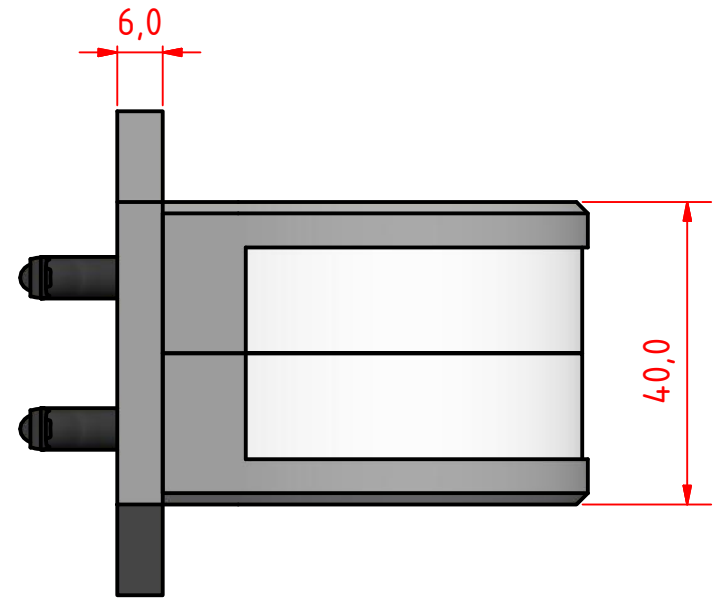
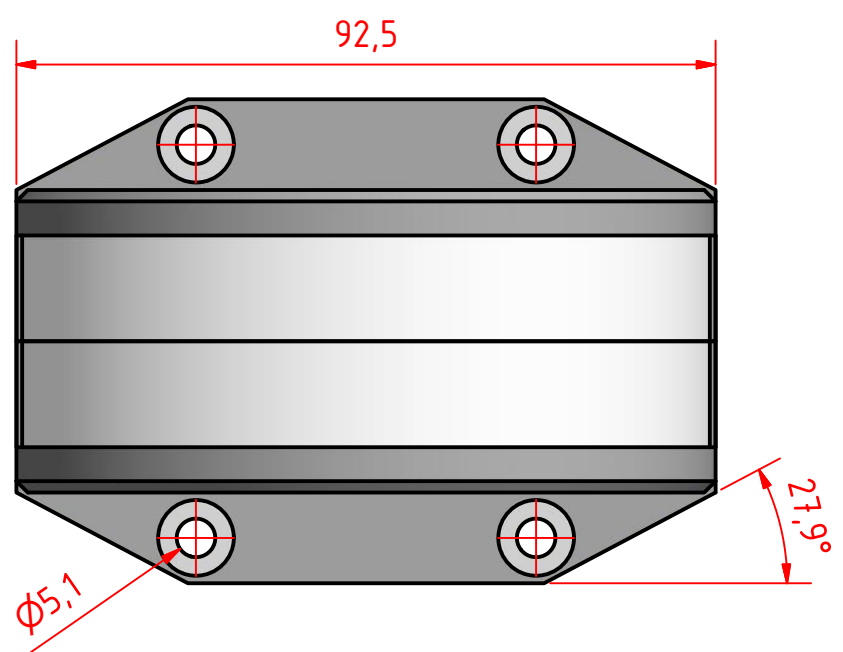
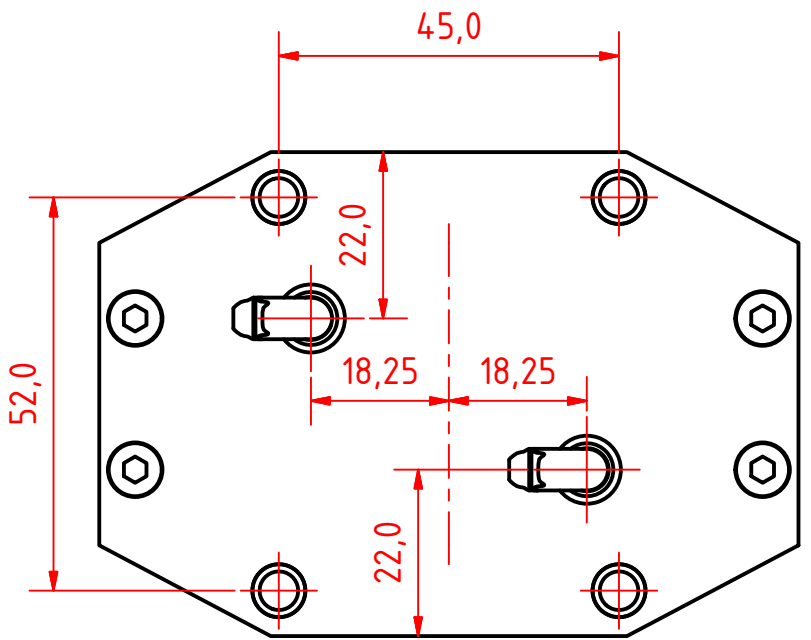
Ordering information

VISIBILITY	CABLE LENGTH	PART NUMBER SILVER FINISH	PART NUMBER BLACK FINISH*
2 nautical miles	0,75m / 2.5' (standard)	200-016ST	200-016ST-B
	6m / 19.7'	200-016ST 6M	200-016ST-B 6M
3 nautical miles	0,75m / 2.5' (standard)	300-116ST	300-116ST-B
	2,5m / 8.2'	300-116ST 2.5M	300-116ST-B 2.5M
	6m / 19.7'	300-116ST 6M	300-116ST-B 6M
	10m / 32.8'	300-116ST 10M	300-116ST-B 10M
	20m / 65.6'	300-116ST 20M	300-116ST-B 20M

*) The black finish option has a tougher hard coat anodizing of 50 μ thickness



2 Pre-wired Cable Exits Ø5,5mm shielded marine cable



200-016ST 180 degree Red, 2nm

DRAWING NO.: 200-016AB	REV. NO.: 0	SIZE: A3	DRAWN BY: Paul
SCALE: 1:1	TOLERANCES: DS/ISO 2768-f	REVIEWED BY: JM	

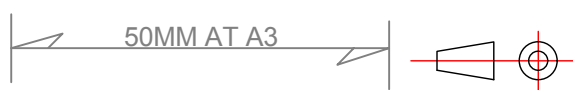
MATERIAL DESCRIPTION:
Aluminium & Acrylic

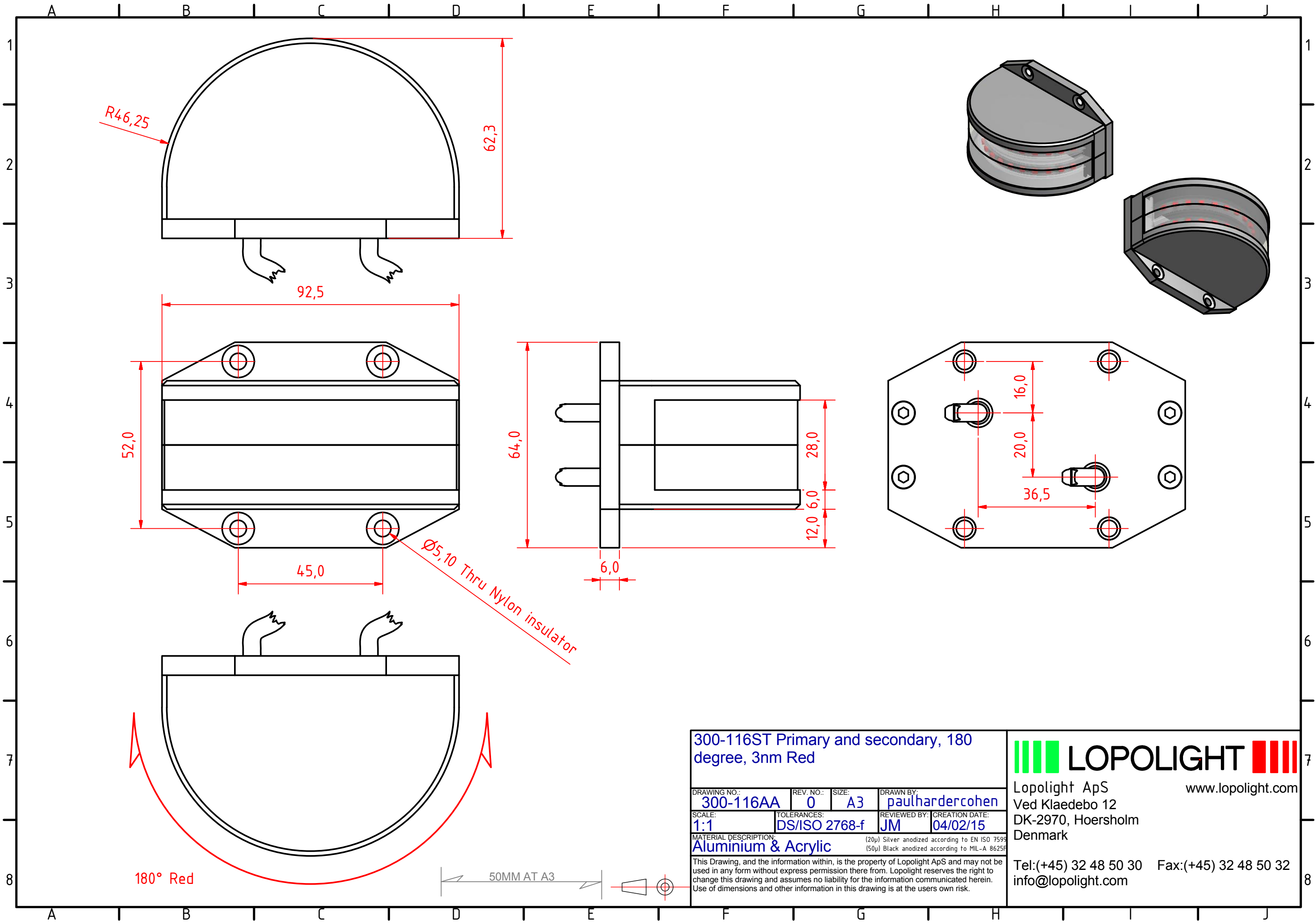
This Drawing, and the information within, is the property of Lopolight ApS and may not be used in any form without express permission there from. Lopolight reserves the right to change this drawing and assumes no liability for the information communicated herein. Use of dimensions and other information in this drawing is at the users own risk.



Lopolight ApS
Ved Klaedebo 12
DK-2970, Hoersholm
Denmark

Tel:(+45) 32 48 50 30 Fax:(+45) 32 48 50 32
info@lopolight.com





300-116ST Primary and secondary, 180 degree, 3nm Red

DRAWING NO.: 300-116AA	REV. NO.: 0	SIZE: A3	DRAWN BY: paulhardercohen
---------------------------	----------------	-------------	------------------------------

SCALE: 1:1	TOLERANCES: DS/ISO 2768-f	REVIEWED BY: JM	CREATION DATE: 04/02/15
---------------	------------------------------	--------------------	----------------------------

MATERIAL DESCRIPTION:
Aluminium & Acrylic

(20µ) Silver anodized according to EN ISO 7599
(50µ) Black anodized according to MIL-A 8625F

This Drawing, and the information within, is the property of Lopolight ApS and may not be used in any form without express permission therefrom. Lopolight reserves the right to change this drawing and assumes no liability for the information communicated herein. Use of dimensions and other information in this drawing is at the users own risk.



Lopolight ApS
Ved Klaedebo 12
DK-2970, Hoersholm
Denmark

www.lopolight.com

Tel:(+45) 32 48 50 30 Fax:(+45) 32 48 50 32
info@lopolight.com